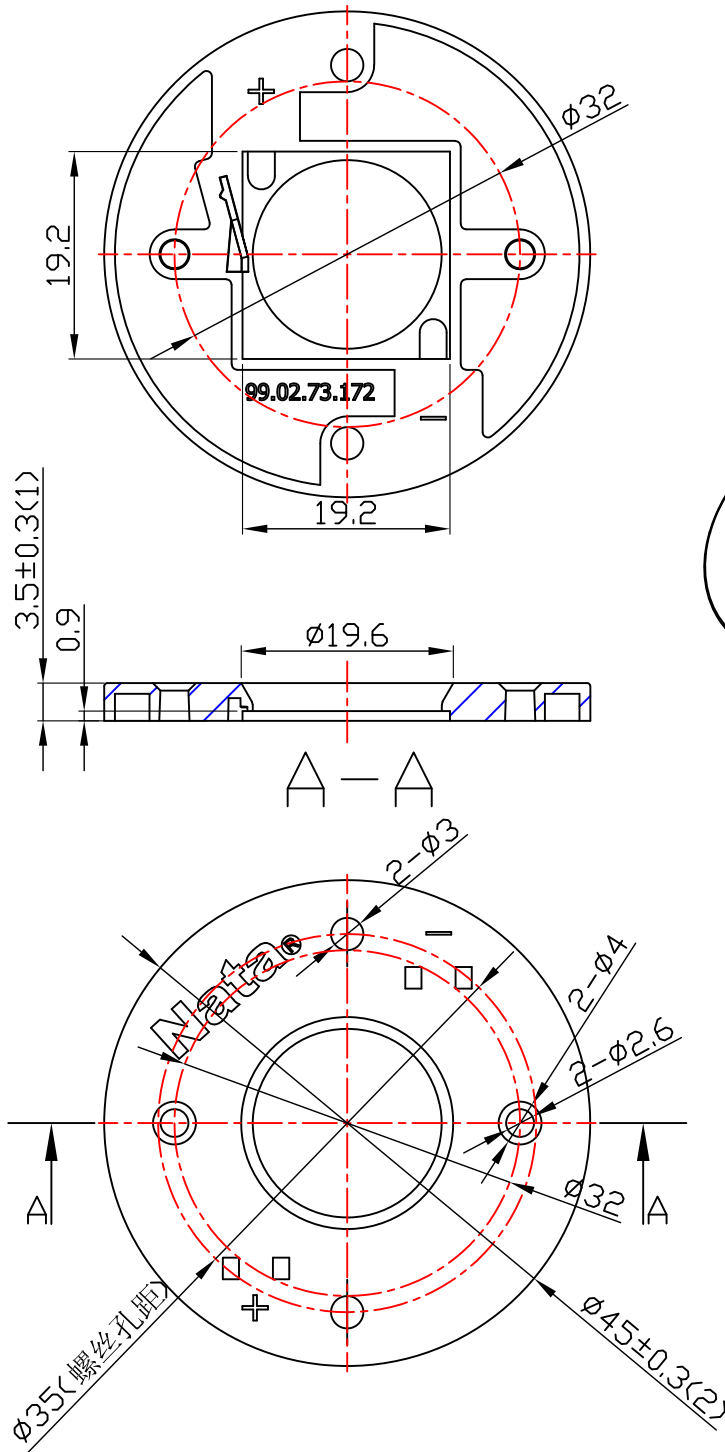


Table for unmentioned tolerance in the drawing (unit: mm)					
0-5	5-30	30-120	120-250	250-400	400-700
±0.15	±0.2	±0.5	±0.8	±1.5	±2



Electric wires:  
 $0.32\text{mm}^2 \sim 0.81\text{mm}^2$   
 18AWG, 20AWG, 22AWG  
 Tin plating after  
 stripping 7mm

					Material: PBT		<b>Nata</b> <sup>®</sup> <b>NATA Lighting Co., Ltd</b>	
Mark	Amended Times	Amended Content			Signature	Amended Date	Customer Item	
Control Version	A0	Design Version		K0	Client Version		Customer Code	NT
Designer		Drawing by			Proportion	1:1	Product Number	99.02.73.172
Technology		Auditor			View		Product Name	CLU03x免焊支架 D45xH3.5
Approval		Date	2019.03.28	Page	Total Page			